

Technical parameters

"SALDA" UAB, Ragainės 100, LT-78109 Šiauliai, Lietuva 2019-04-10

Unit name: AVA-DX 315

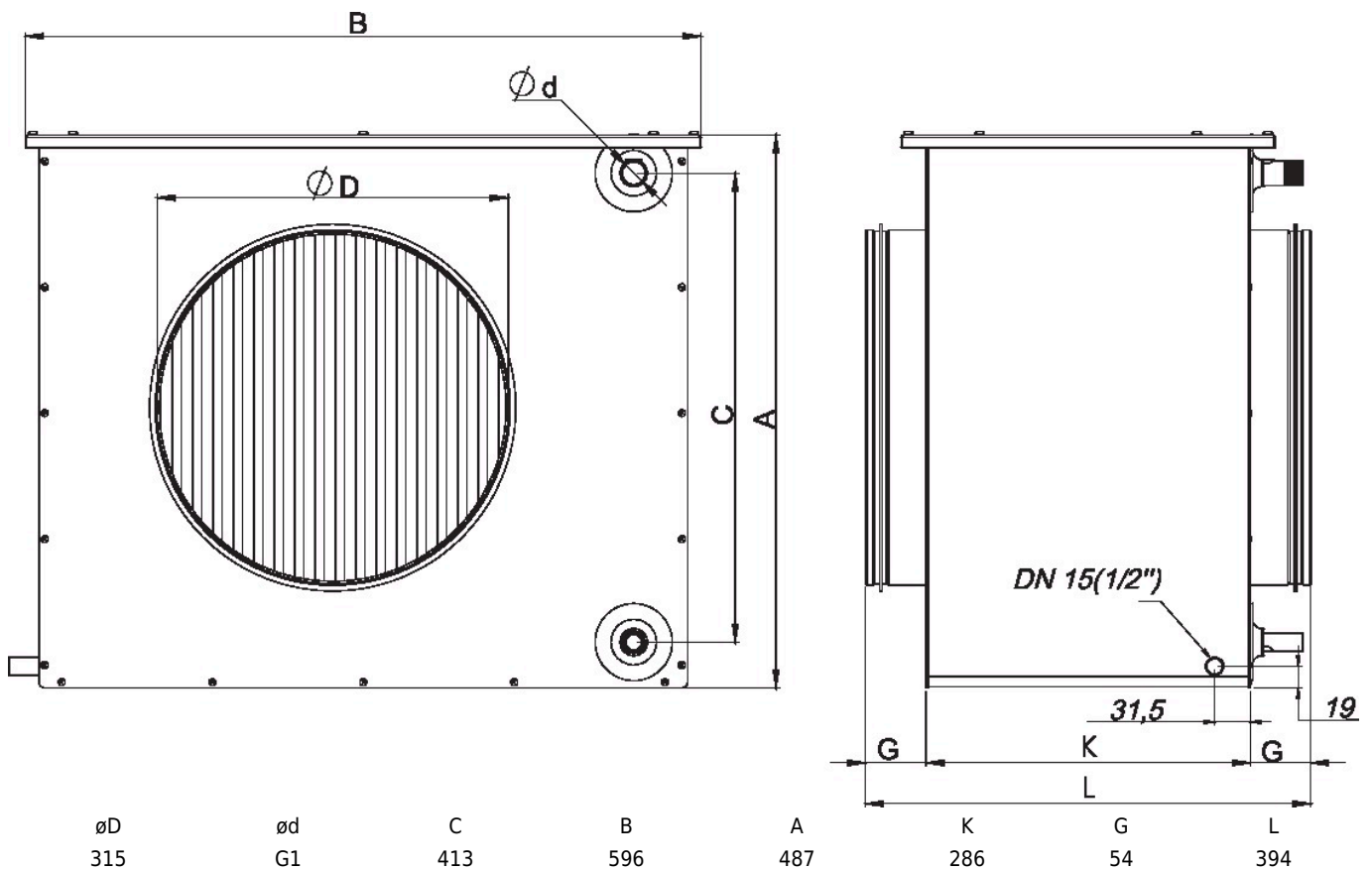
Art.no: GSIAVA010



Input Fluid

	Unit	
Fluid type	-	R410a
Evaporating temperature	°C	12

Dimensions



Technical parameters

"SALDA" UAB, Ragainės 100, LT-78109 Šiauliai, Lietuva 2019-04-10

Unit name: AVA-DX 400

Art.no: GSIAVA011



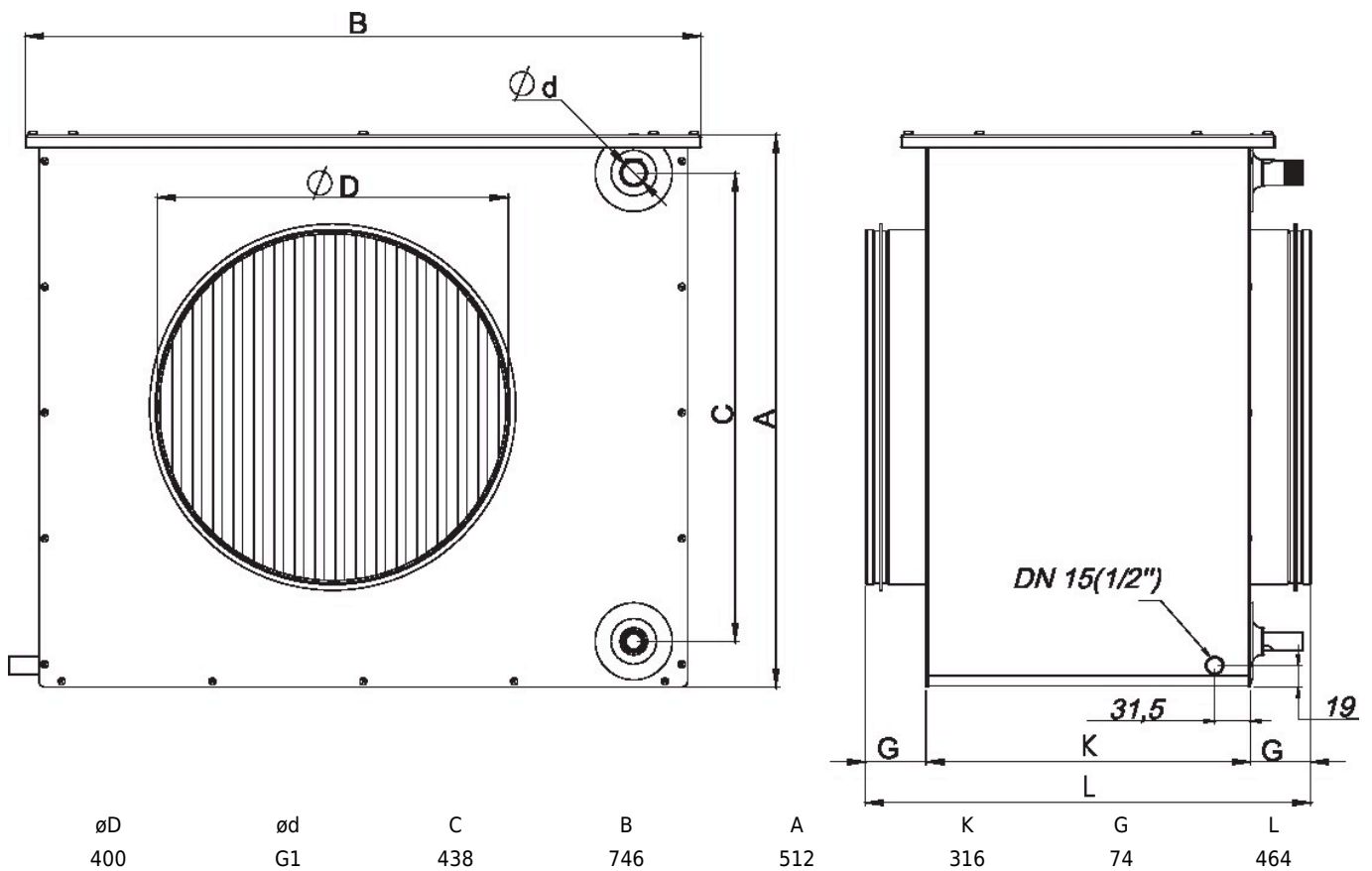
Technical parameters

Weight 22.9

Input Fluid

	Unit	
Fluid type	-	R410a
Evaporating temperature	°C	12

Dimensions



Technical parameters

"SALDA" UAB, Ragainės 100, LT-78109 Šiauliai, Lietuva 2019-04-10

Unit name: AVA-DX 500

Art.no: GSIAVA012



Technical parameters

Weight 34.9

Input Fluid

	Unit	
Fluid type	-	R410a
Evaporating temperature	°C	12

Dimensions

